

Features

- Universal input 90~264VAC
- Direct Euro Fixed Plugtop Adapters
- Approved to UKCA, CE, TUV-GS, RoHS
- Safety standards to EN/IEC 62368-1
- Meets Efficiency Level VI
- EMC FCC Class B Certified
- Single Output 5V DC
- OVP, OCP, SCP



Image for Illustration Purpose
Models may vary

Ideal Power's 15DYS806-xyS-3-RS1 7.5W AC/DC External Adapter EURO Plugtop Power Supply (PSU) Series are certified to UKCA, CE, TUV-GS, RoHS & EN 62368-1/IEC 62368-1 Standards and comply with (EU) 2019/1782, Level VI Efficiency Regulations. These are primarily used in ITE, Audio & Video Industries and customised solutions are available upon request.

Models

Model Number	Output Voltage (V DC)	Output Current (A)	Output Power (W)	Efficiency (%)
15DYS806-050150S-3-RS1	5	1.5	7.5	76.65

Input Data

	Min	Typical	Max	Units	Notes
Input Voltage	90	--	264	V AC	100-240VAC +/- 10%
Input Frequency	47	--	63	Hz	50-60Hz +/- 5%
Input Current	--	0.3	--	A	
Inrush Current	0	--	60	A	At cold start, 100 / 240V AC
Leakage Current	--	--	0.25	mA	

Output Data

	Min	Typical	Max	Units	Notes
Output Voltage	--	5	--	%	
Ripple & Noise	--	--	200	mVp	
Turn-on Delay Time	--	--	3	S	
Hold-up Time	5	--	--	S	
Capacitance Load	Input 100~240Vac and capacitance load is 470uF, the adapter can turn on normally and the output is in the rated range.				
Over/Undershoot	10% max. When the power on or off				
Transient Response	Shall not exceed 10% of the nominal output voltage, load fluctuations: from 20% to 80%, R/S: 0.5A/uS, frequency: 100Hz duration and 8mS at 80%.				

Protection

Over Current Protection	Over Current Point Limited: $I \geq 1.65A$ The output shall hiccup when the over currents applied to the output rail. Will recover if fault condition is removed
Short Circuit Protection	The input power shall decrease when the output rail short, the power supply shall no damage, and shall be self-recovery when the fault condition is removed
Over Voltage Protection	The power supply shall protection when the output over voltage

Environmental Data

	Min	Typical	Max	Units	Notes
Operating Temperature	0	--	+45	°C	10%RH to 90%RH
Storage Temperature	-20	--	+80	°C	5%RH to 95%RH non-condensing
Vibration	10 to 300Hz sweep at a constant acceleration of 1.0G(Breadth: 3.5mm) for 1Hour for each of the perpendicular axes X, Y, Z				
Drop in	Height: 1m; the product should be fell off on the plank with the thickness of at least 53mm, and the plank should be put on the cement ground or on the ground without flexibility. Random surface in all 3 times.				

Other Information

	Min	Typical	Max	Units	Notes
Dielectric Strength	--	--	--	--	Primary to Secondary: 4242VDC or 3000VAC / 5mA Max / 60 second (3 seconds for mass production)
Insulation Resistance	50	--	--	MΩ	Primary to secondary add 500Vdc test voltage
MTBF	--	50,000	--	hrs	At 80% load and 25°C
Burn-in	At least 4 Hours under normal input and 80% rated load at 40°C ±5°C				
Dimensions	66.3x24.1x36.5mm				

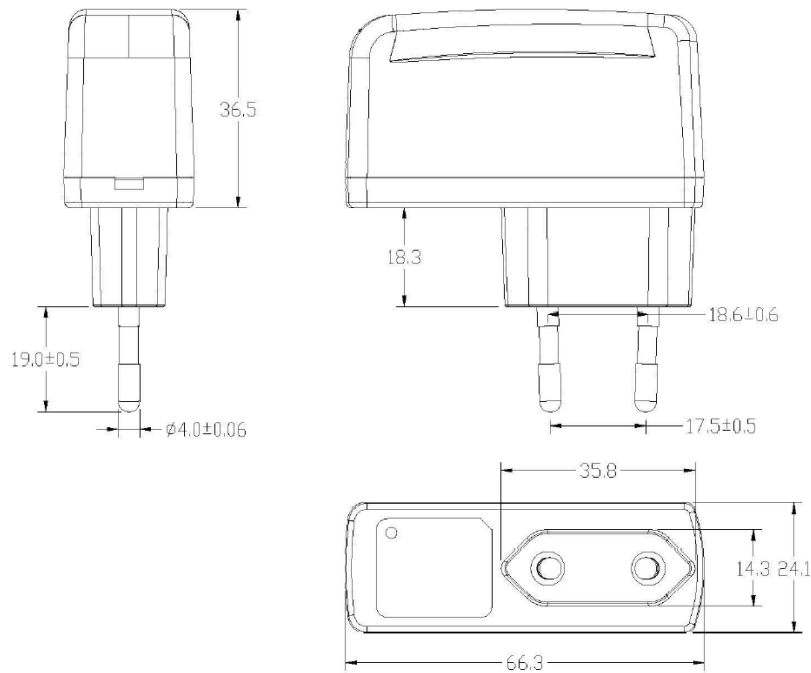
EMI/EMS Standards

	Test Level			
EMI	EN 55032			
EMS	EN 55035			
ESD	IEC 61000-4-2,	Air discharge +/-8KV, Contact discharge +/-4KV		Pass B
EFT	IEC 61000-4-4,	AC-Input 0.5KV/1KV		Pass A/B
Surge Voltage	IEC 61000-4-5	Differential mode +/-1KV. Common mode +/-2KV		Pass A

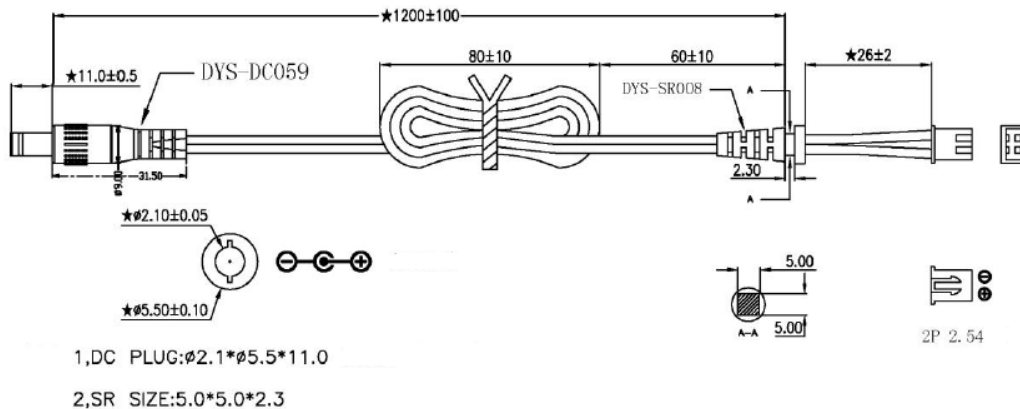
Safety Approvals

	Safety Standards
Certifications	UKCA, CE, TUV-GS, RoHS
Approvals	IEC/EN 62368-1

Mechanical Drawing



Cord Drawing



Typical Labels

